



SMART ENERGY SOLUTIONS
 E-mail: sales@smartlednc.com
www.smartlednc.com

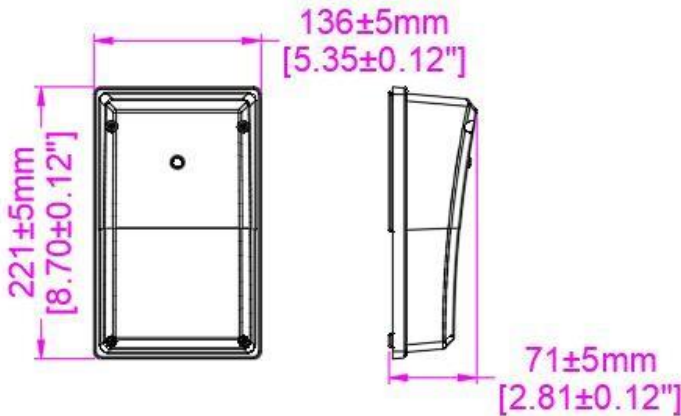
P/N: AST-MWP10-20WBMSA1-abWd

Note:

AST= Company name;
 MWP10 = Product series, LED Wall Pack Light
 20W = Rating Power;
 "B"= LED manufacturer, Lumileds2835;
 "M"=Diffuser Type, Matte lens
 "S"= CCT untunable;
 A1=120-277VAC
 "a" can be any two letters for housing colors;
 "b" can be "P" or blank for Sensor provided or not;
 "W" for wattage adjustable ;
 "d" can be any digits for CCT.



DIMENSIONS



ADVANTAGE

- UL cUL certificate.
- Input voltage 120-277VAC.
- Output constant current lever can be adjusted through output cable with 0-10V.
- No UV or IR in the beam.
- Easy to install and operate.
- Energy saving, long lifespan.
- Light is soft and uniform, safe to eyes.
- Instant start, NO flickering, NO humming.
- Green and eco-friendly without mercury.

APPLICATION

- entrance lighting, courtyard lighting.
- Industrial lighting, Outdoor landscape lighting.
- Building, The hotel.
 Wall lighting area and so on.

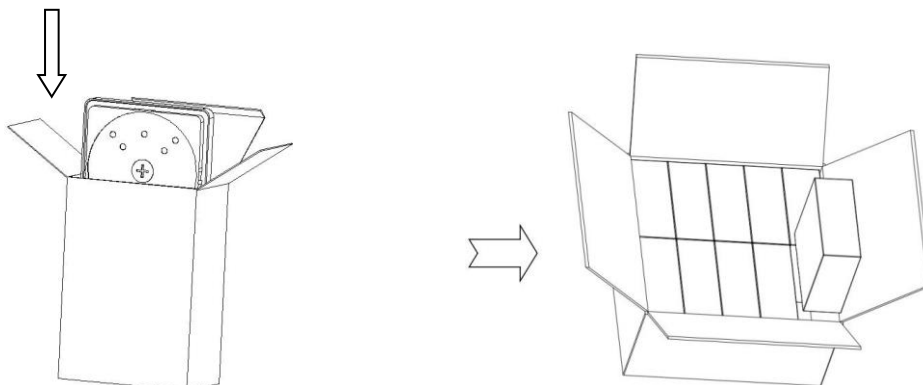
SPECIFICATIONS

| | | | | | |
|-------------------|--|---|---------|---------|---------|
| OPTICAL | Input Power (Tolerance : $\pm 10\%$) | 20W(Wattage Adjustable Range: 25%-100%) | | | |
| | Color Temperature | 4000K | 5000K | 5700K | 6500K |
| | Lumen (Tolerance : $\pm 10\%$) | 2400LM | 2400LM | 2400LM | 2400LM |
| | Efficacy (Tolerance : $\pm 3\%$) | 124LM/W | 125LM/W | 125LM/W | 126LM/W |
| | CRI | >80 | | | |
| | Color Consistency | <6 SDCM | | | |
| | BUG | B1-U3-G1 | | | |
| | Diffuser Type | Matte lens | | | |
| | Beam Angle (50%) (Tolerance : $\pm 15\%$) | 104 Degree | | | |
| ELECTRICAL | Input Voltage and Frequency | 120-277VAC, 50/60Hz | | | |
| | PF (Tolerance : -3%) | ≥ 0.9 | | | |
| | THD (Tolerance : +5%) | $\leq 20\%$ | | | |
| | Flicker Percent | <70% | | | |
| | Driver Brand | AST | | | |
| | Driver Model | HB-FL19F025 | | | |
| | Driver Surge protection | L/N-PE: 2.5kV, L-N: 2.5kV | | | |
| | Dimming | 0-10V dimming standard | | | |
| | Sensor Type | No sensor | | | |
| | Optional Accessory | Photocontrol | | | |
| MATERIALS | LED Brand | Lumileds | | | |
| | LED Type | SMD2835 | | | |
| | LED QTY | 75pcs | | | |
| | Housing | Die-cast aluminum | | | |
| | Housing Color | Brown, Black, or Customized | | | |
| | Waterproof Rating | WET (IP65) | | | |
| OTHERS | Operating Temperature | -40°C TO 50°C | | | |
| | Storage Temperature | -40°C TO 85°C | | | |
| | Operating Humidity | 10% - 90% RH | | | |
| | Storage Humidity | 5% - 95% RH | | | |
| | Warranty | 5 years | | | |

PACKAGE

| Lamp Type | Carton Size | Qty / Carton | Net Weight / Carton | Gross Weight / Carton |
|-----------|---|--------------|---------------------|-----------------------|
| Inner box | 143*80*230mm [5.62*3.15*9.06inch] | 1 PCS | 0.56KG/[1.23LBS] | 0.63KG/[1.39LBS] |
| Outer box | 420*300*250mm [16.53*11.81*9.84inch] | 10PCS | 0.63KG/[1.39LBS] | 7.1KG/[15.62LBS] |

Tolerance of Carton Size: ± 15 MM [± 0.59 inch], Tolerance of Weight: $\pm 10\%$.



LIGHT DISTRIBUTION TESTING PARAMETERS

NOTICE FOR USER

- Please turn off power before install or change assembly parts.
- The input voltage and lamps should be matched, after connecting the power line, Please make sure the wiring section is insulated.
- No-professionals, must not install and disassemble the lamps.

TROUBLE SHOOTINGS

| Troubles | Check points |
|-------------------------|--|
| Flickering of the light | Turn off the power and turn on again in 3 minutes. If same phenomena occur, then call agencies. |
| Out of working | Please check the connection. |